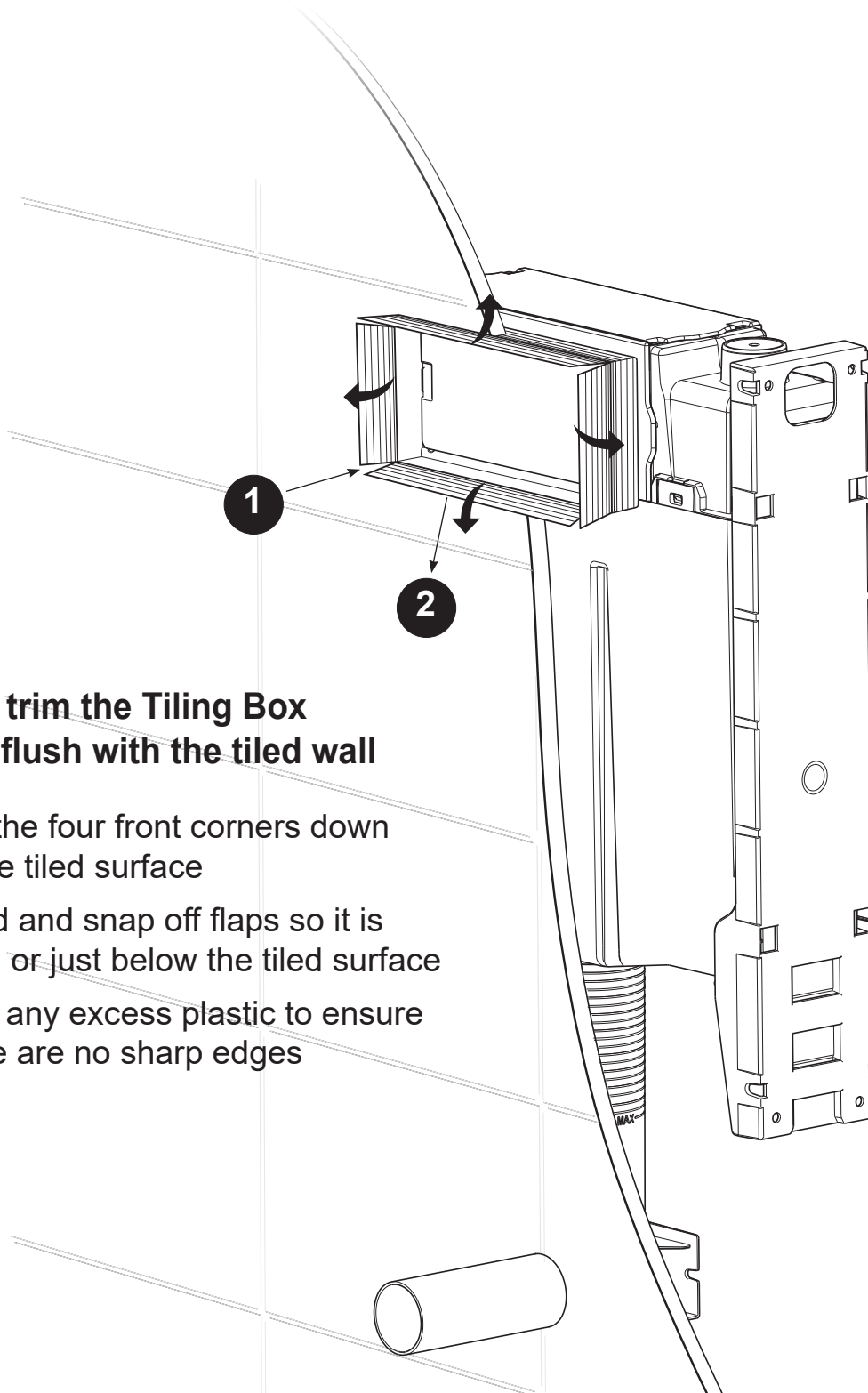


INVISI™

SERIES II

New easy trim tiling box instructions



How to trim the Tiling Box so it is flush with the tiled wall

1. Cut the four front corners down to the tiled surface
2. Bend and snap off flaps so it is flush or just below the tiled surface
3. Trim any excess plastic to ensure there are no sharp edges